

Light-LINKS 48 Port 1U LC Sliding Patch Panel And Enclosure

Introducing DINTEK's new plastic fiber optic sliding patch panels. Designed to provide exceptional performance and ease of use, our new plastic sliding patch panels bring a fresh perspective to managing your fiber optic infrastructure.

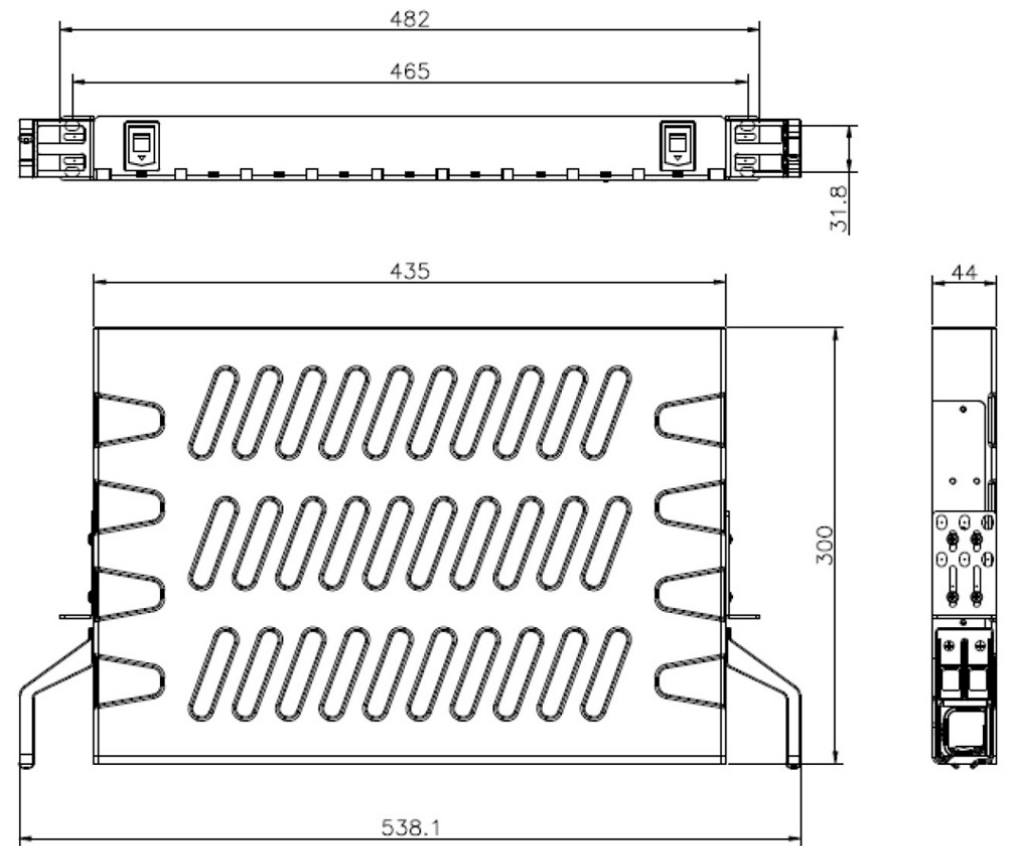
Say goodbye to the limitations of metal and embrace the advantages of plastic, including corrosion resistance and simplified installation. Experience the next generation of fiber optic connectivity with DINTEK's new plastic fiber optic sliding patch panels, where innovation meets reliability for a seamless networking experience.

Features

- Standard size, light weight and reasonable structure
- LC, SC adapter patch panel options including FC and ST
- Front access panel design for easy operation
- Suitable for 19" standard optic distribution cabinets
- Max. capacity 48 fibers
- 4 fiber cable entry ports
- Color: Black

Application

- Telecommunications
- Fiber to the home (FTTH)
- LAN/WAN
- CATV



(W 482mm × H 44mm × D 300mm)

Ordering Information

Product Number	Product Name	Adaptor Type	Adaptor Mode	Splice Protectors	Std Ctn Qty
2210-48001	Light-LINKS 48 Port 1U LC Sliding Patch Panel	24 x Duplex LC	OS2	Included	4
2210-48002	Light-LINKS 48 Port 1U LC Sliding Patch Panel	24 x Duplex LC	OM2	Included	4
2210-48003	Light-LINKS 48 Port 1U LC Sliding Patch Panel	24 x Duplex LC	OM3	Included	4
2210-48004	Light-LINKS 48 Port 1U LC Sliding Patch Panel	24 x Duplex LC	OM4	Included	4

DINTEK Electronic Limited

台北市中山區中山北路二段96號 嘉新第二大樓五樓N511
 N511, 5F, 2nd Bldg, No. 96, Sec. 2, Zhongshan N. Rd. Zhongshan Dist., Taipei City 10449, Taiwan
 P: +886-2-25223138 E-mail: sales@dintek.com.tw W: www.dintek.com.tw

2210-48001