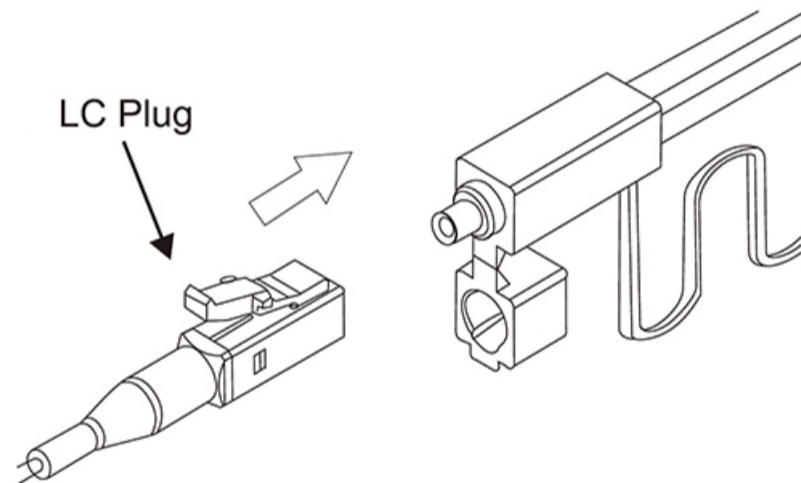
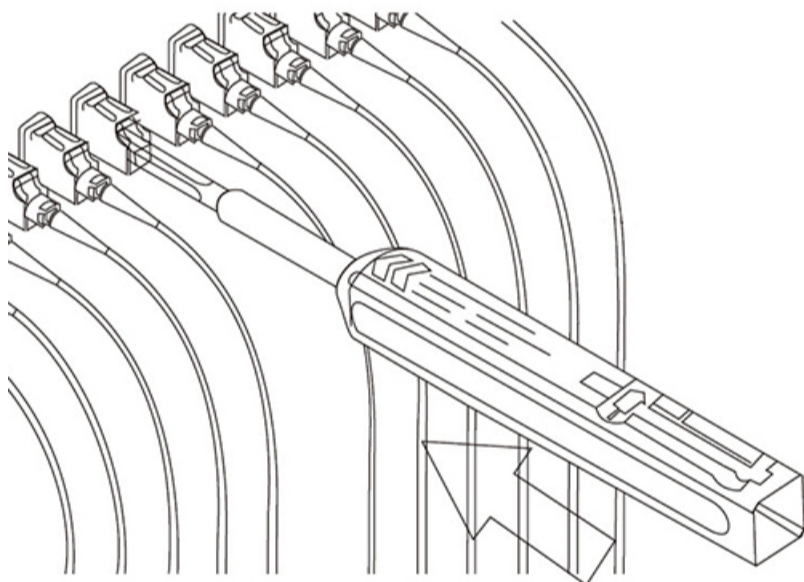


## DINTEK 1.25mm LC Connector Cleaning Pen

The DINTEK LC Connector Cleaning Pen is a high-performance device designed for cleaning the ferrule end-faces of LC connectors. The cleaning pen is a cost effective tool for cleaning fiber end-faces without the use of alcohol. The cleaner is designed to clean both exposed jumper ends and connectors already seated inside adapters.

### Features

- Ergonomic, comfortable design with single action cleaning
- Precise mechanical action delivers consistent cleaning results
- Automatically advance ensures each clean is performed with fresh cleaning tape
- Easy pushing motion engages connector and initiates cleaner
- Disposable with 800+ cleanings per unit
- Made from anti static resin
- Extendable tip reaches recessed connectors
- Audible click when engaged



### Ordering Information

Product Number	Product Name	Ferrule Size
6100-02001	DINTEK LC Connector Cleaning Pen	1.25mm

### DINTEK Electronic Limited

台北市中山區中山北路二段96號 嘉新第二大樓五樓N511  
 N511, 5F, 2nd Bldg, No. 96, Sec. 2, Zhongshan N. Rd. Zhongshan Dist., Taipei City 10449, Taiwan  
 P: +886-2-22997898 E-mail: sales@dintek.com.tw W: www.dintek.com.tw

6100-02001