

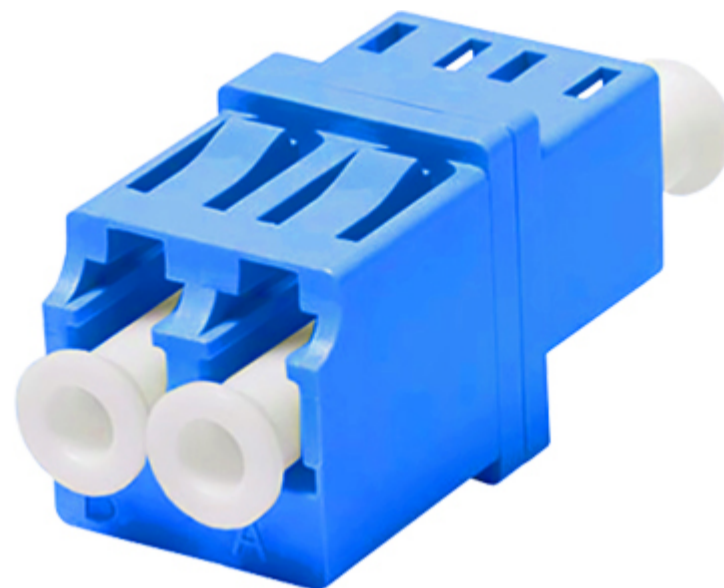
Publish Date: 22.09.2020 | Rev no: 6

## OS2 Duplex Low Profile LC Coupler - Unshuttered Without Flange

DINTEK's Light-LINKS™ Couplers are a range of couplers for joining ST, SC and LC, multimode and singlemode fibre connectors. Industry standard flanges with mounting holes allow panel mounting or they may be used to join free cables. The inner ferrules are ceramic for accurate connector alignment and low loss.

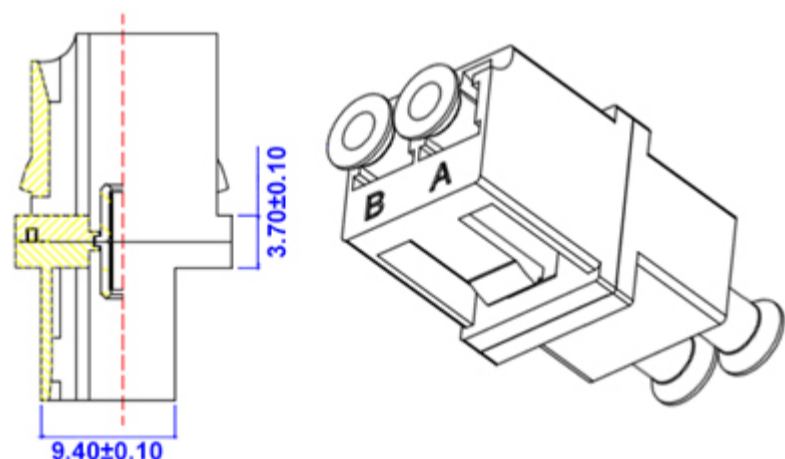
### Features

- Low insertion loss
- Environmentally stable
- Easy installation
- Flange protects eyes by blocking laser light



### Standards Compliance

- Standards ISO/IEC 11801
- Cenelec EN 50173-1
- ANSI/TIA-568 D.3
- Cenelec EN 50173-5
- ISO/IEC 24764/ TIA-942
- Ethernet IEEE 802.3; 10/40/100GbE



### Technical & Mechanical Properties

Fiber type	SC / ST / FC - 2.50 mm LC - 1.25mm
	Singlemode - OS1 / OS2
Ferrule diameter	SC / ST / FC - 2.50 mm LC - 1.25mm
Insertion/withdrawal cycles	1000
Connection method	Female
Degree of protection	IP20
Ambient temp. (operation)	-40 ~ +80
Ambient temp. (storage)	-40 ~ +85
Number of fibers	Duplex Couplers - 2 Fiber   Simplex Couplers - 1 Fiber
Housing material	Plastic
Ferrule material	Zirconia ceramics
Sleeve Pull Force	0.1 - 0.3kg
Insertion Loss	≤0.2dB
Insertion Loss (dB)	≤0.20 (single-mode)
Connection profile Multimode	MM - Beige
Connection profile Singlemode	SM - UPC Blue   SM - APC - Green

### Ordering Information

Product Number	Product Name	Configuration	Mode Type	Adaptor Color
2107-07010	LC-LC Singlemode Duplex Coupler - Low Profile - Lucent Type	Duplex	Singlemode	Blue
2107-07009	LC-LC Multimode Duplex Coupler - Low Profile - Lucent Type	Duplex	Multimode	Beige

### DINTEK Electronic Limited

台北市中山區中山北路二段96號 嘉新第二大樓五樓N511  
 N511, 5F, 2nd Bldg, No. 96, Sec. 2, Zhongshan N. Rd. Zhongshan Dist., Taipei City 10449, Taiwan  
 P: +886-2-22997898 E-mail: sales@dintek.com.tw W: www.dintek.com.tw

**2107-07010**