

Publish Date: 16.07.2020 | Rev no: 6

PowerMAX Cat.6 UTP Solid RJ45 Plug

The PowerMAX™ RJ45 1 piece plug for unshielded solid wire 23-24AWG includes a conductor load bar to keep the integrity of the twisted pairs and aids in loading into plug. It is suitable for Cat.6 cable sizes.

Electrical Characteristics

- Dielectric withstanding voltage: 1000VAC (RMS)
- Contact resistance: 10 milliohms max
- Current rating: 30 VAC at 1.5 AMPS
- Insulation resistance: 500 megohms min



Mechanical Characteristics

- Housing: Polycarbonate
- Contact material: Phosphor bronze alloy
- Contact plating: 50 micro-inch gold plating over nickel plating
- Cable-to-plug tensile round and flat cable available
- Strength: 20lbs min between the cable and plug
- Durability: 750 cycles minimum
- Operating temperature: -20°C to +75°C

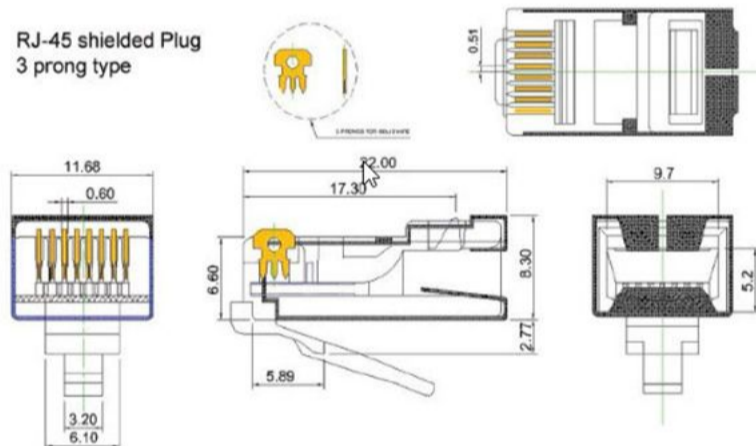
Applications

- 10 Base-T (IEEE 802.3)
- Fast Ethernet (IEEE 802.3u)
- 100Vg-AnyLAN (IEEE 802-12)
- Token Ring (IEEE 802.5)
- TP-PMD (ANSI X 3T9.5)
- 100 Mbps CDDI
- ATM 155
- Gigabit 1000 Mbps (802.3z)

Standards Conformance

- ISO/IEC11801 2nd edition
- ANSI/TIA/EIA Cabling Standard 568-C.2
- CENELEC EN 50173
- RoHS-6 Compliant

RJ-45 shielded Plug
3 prong type



Ordering Information

Product Number	Product Name	Category	Std Pkg Qty	Std Ctn Qty
1501-88038	Cat.6 RJ-45 plug for unshielded solid wire 23-26AWG - 1 piece	Cat.6	1200pcs / box	7200pcs / carton
1501-88032	Cat.6 RJ-45 plug for shielded solid wire 23-24AWG - 2 piece	Cat.6	1000pcs / box	6000pcs / carton
1501-88046	Cat.6 RJ-45 plug for shielded solid wire 22-26AWG - 2 piece	Cat.6	1000pcs / box	6000pcs / carton

DINTEK Electronic Limited

台北市中山區中山北路二段96號 嘉新第二大樓五樓N511
 N511, 5F, 2nd Bldg, No. 96, Sec. 2, Zhongshan N. Rd. Zhongshan Dist., Taipei City 10449, Taiwan
 P: +886-2-22997898 E-mail: sales@dintek.com.tw W: www.dintek.com.tw

1501-88038