

Publish Date: 24.05.2021 | Rev no: 38

PowerMAX Cat.6 UTP Solid RJ45 Plug - 2 Piece

The PowerMAX™ RJ45 2 Piece Plug for Unshielded Solid Wire 23-24AWG (3 prong) includes a conductor load bar to keep the integrity of the twisted pairs and aid in loading into plug. It is suitable for Cat.6 cable sizes.

Electrical Characteristics

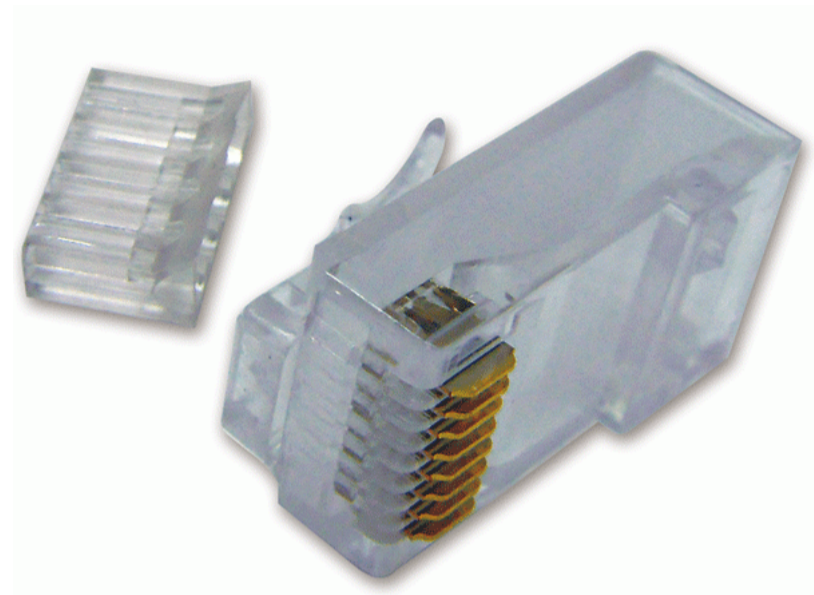
- Dielectric with standing voltage: 1000VAC (RMS)
- Contact resistance: 10 milliohms max
- Current rating: 30 VAC at 1.5 AMPS
- Insulation resistance: 500 megaohms min

Mechanical Characteristics

- Cable-to-plug tensile round & flat cable available
- Strength: 20 lbs. min
- Durability: 750 cycles min
- Operating temperature: -40°C to +125°C

Material and Finish

- Housing: Poly-carbonate
- Contact material: Phosphor bronze alloy
- Contact: Copper alloy 50u" gold over nickel



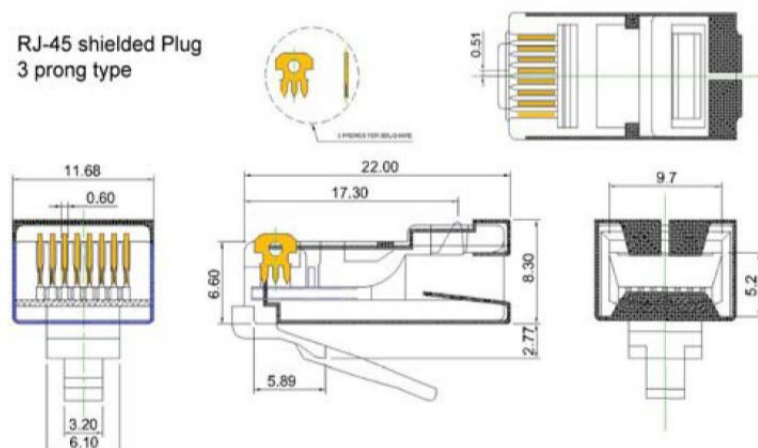
Applications

- 10 Base-T (IEEE 802.3)
- Fast Ethernet (IEEE 802.3u)
- 100Vg-AnyLAN (IEEE 802-12)
- Token Ring (IEEE 802.5)
- TP-PMD (ANSI X 3T9.5)
- 100 Mbps CDDI
- ATM 155
- Gigabit 1000 Mbps (802.3z)

Standards Conformance

- ANSI/TIA-568-2.D
- ISO/IEC 11801
- EN 50173

RJ-45 shielded Plug
3 prong type



Ordering Information

Product Number	Product Name	Category	Std Pkg Qty	Std Ctn Qty
1501-88028	Cat.6 RJ45 Plug for Unshielded Solid Wire 23-26AWG - 2 Piece with Load Bar	Cat.6	1200pcs/box	7200pcs/carton
1501-88027	Cat.6 RJ45 Plug for Unshielded Solid Wire 23-26AWG - 1 Piece	Cat.6	1200pcs/box	7200pcs/carton

DINTEK Electronic Limited

台北市中山區中山北路二段96號 嘉新第二大樓五樓N511
 N511, 5F, 2nd Bldg, No. 96, Sec. 2, Zhongshan N. Rd. Zhongshan Dist., Taipei City 10449, Taiwan
 P: +886-2-22997898 E-mail: sales@dintek.com.tw W: www.dintek.com.tw

1501-88028